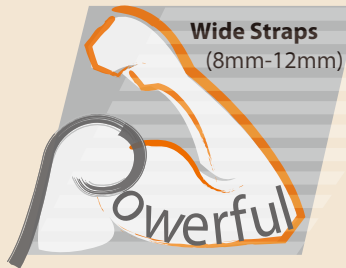


TAURIS
TP-601D



Full Strap
Advanced Strapping Systems



Transpak offers general-purpose automatic strapping machines with high reliability and performance. For wide straps application, we have the following models:

- Enhanced model automatic P.P. strapping machine Tauris TP-601D
- Enhanced model automatic P.P. strapping machine with low table Tauris TP-601L
- Economy model automatic P.P. strapping machine TP-6000

AUTOMATIC

STRAPPING MACHINE

Tauris

Enhanced model

TP-601D

Tauris TP-601D is an enhanced automatic strapping machine for wide straps (8 mm-12 mm). With the enhanced features, Tauris is the most powerful machine and the best price/performance ratio product in its class for wide straps general purpose application.

Main Features



Reliable and Robust Strapping Head

Robust mechanism design and high engineering standard ensure excellent durability of the products. Use two proximity switches to replace conventional limit switches.



Electronic Tension Control

Strap tension can be adjusted accurately by the simple turn of a dial. Easy operation.



Auto Strap Feeding

Simply insert the strap into the feeding rollers from the coil side of the machine and then push the "reset" button. The machine will automatically feed the strap without the need to access to the inside of the machine. Easy strap loading.



Auto Strap Ejector

Loop-eject clears unwanted strap automatically if the machine is accidentally activated without a package. Eliminates downtime.



More Features

Short Feed Sensor

The sensor will detect whether the strap is at sealing position. If not, the start switch can not be activated.

Auto Strap Refeed

The machine will automatically refeed the strap if a mis-feed occurs.

Strap End Ejector

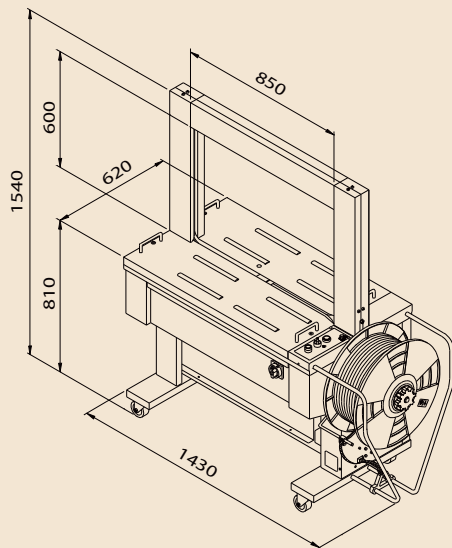
Eject end of strap. Get the machine ready for next coil of strap.

Methods of Cycle Initiation

The machine can be operated by several methods, such as foot pedal switch, start switch, and photo eye switch.

Option

- Stainless steel frame SUS 304 (TP-601DS)

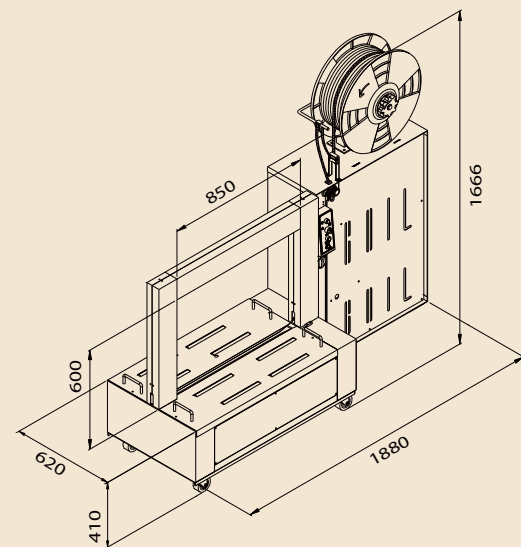


Tauris Family

TP-601L

Low-Table Model

- Designed to accommodate bulky or heavy packages
- Other features are the same as TP-601D



Arch Sizes

TP-601D/TP-601L

H \ W	650	850	1050	1250
400				
600		Ⓢ		
800	N/A			
1000	N/A			
1200	N/A			

Ⓢ Standard size: 850 mm(W) x 600 mm(H)

- N/A means not available
- Larger arches on request

TP-601D / TP-601L

Technical Data

Strap Width 8 mm-12 mm

Strap Thickness 0.55-0.75 mm

Strap Tension 7-70 kg

Speed Per Minute (60Hz) 29 straps

Net Weight 220 kg for TP-601D

235 kg for TP-601L

Electrical Requirements

110V, 220V, 230V 50/60Hz 1PH

220V, 380V, 400V 50/60Hz 3PH

Economy Machine

Affordable for every budget

TP-6000

The TP-6000 is an economical automatic strapping machine for wide straps (8 mm-15.5 mm). With proven quality and competitive price, it is the most cost effective solution for wide straps general purpose application.



Main Features

- Easy operation, simple maintenance.
- Mechanical outside tension control. Tension can be easily set with a dial.
- Affordable for every budget.

Options

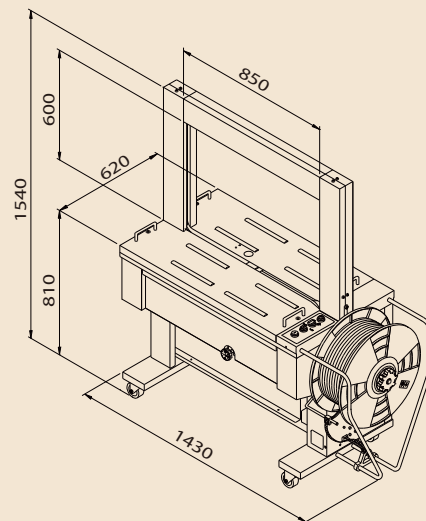
- Short feed sensor
The sensor will detect whether the strap is at sealing position. If not, the start switch can not be activated.
- Stainless steel frame SUS 304 (TP-6000S)

Arch Sizes

H \ W	650	850	1050	1250
400				
600		Ⓢ		
800	N/A			
1000	N/A			
1200	N/A			

Ⓢ Standard size: 850 mm(W) x 600 mm(H)

- N/A means not available
- Larger arches on request



TP-6000 Technical Data

Strap Width 8 mm-15.5 mm

Strap Thickness 0.55 mm-0.75 mm

Strap Tension 10-70 kg

Speed Per Minute (60Hz) 27 straps

Net Weight 220 kg

Electrical Requirements

110V, 220V, 230V 50/60Hz 1PH

220V, 380V, 400V 50/60Hz 3PH

Full Strap srl

V. delle Industrie, 11
13856 Vigliano Bilellese (BI) Italy
Tel. +39 015 3353310
Fax +39 015 3353313
mail: info@fullstrap.com
www.fullstrap.com



All specifications are subject to change without notice.