



Full Strap
Advanced Strapping Systems



HELIOS H-45L

BATTERY POWERED TOOL FOR PLASTIC STRAPPING

Helios H-45L is a battery powered strapping tool with superior features and performance for PET and heavy duty PP strapping. It is one of the fastest battery powered tools on the market today and suitable for most of the strapping requirements in every application. Helios H-45L delivers the highest productivity and performance to meet the customer's packaging needs.

Max. Tension
Up to 250 kg



Helios H-45L

Battery Powered Tool for Plastic Strapping

Helios H-45L is a battery powered strapping tool with superior features and performance. It is suitable for most of the strapping requirements in every application. Helios H-45L delivers the highest productivity and performance to meet the customer's packaging needs.

Main Features



Easy Single Handheld Operation

One single thumb pressing to operate the tool. Tensioning, sealing, and cutting are done at the push of the start button. It is the most user-friendly tool.



For All Kinds of Flat Packages

Suitable for a wide range of vertical and horizontal strapping applications, including construction materials, pallet, wood/panel board, paper, etc.



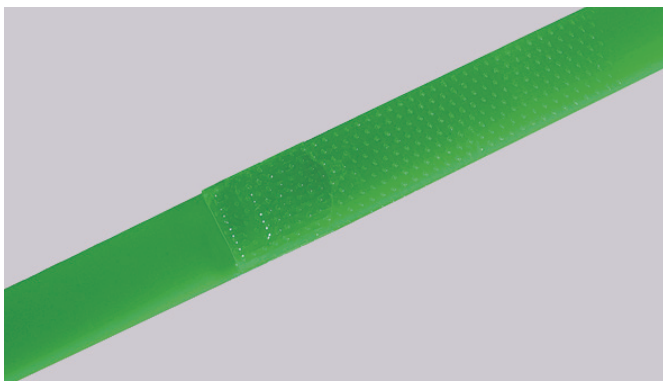
Quick and Simple Adjustment

Adjustable sealing time allows individual setting for different strap types and guarantees high sealing efficiency. Strap tension adjustment can be easily done by a simple turn of the dial. Appropriate tension ensures ideal load security.



Bosch Battery and Charger

German Bosch high capacity battery provides up to 560 (for PP) and 300 (for PET) strapping cycles per charge. Rechargeable battery with long battery life up to 1000 charges.



Friction Weld Sealing

The advanced friction weld sealing technology guarantees reliable joint and high sealing efficiency for both PP and PET strapping.



More Features

High Speed

One of the fastest tool on the market. In less than 3 seconds, the strap is tensioned, sealed, and cut.

Ergonomic and Rugged Design

Provides maximum operator comfort and impact resistant. With little effort, packages such as boxes, pallets, bales, and crates can be safely strapped and secured during shipment and storage.

Easy Strap Threading

Strap feeding is extremely simple. Both end of straps are inserted into the tool together.

Flexible Tensioning Mode

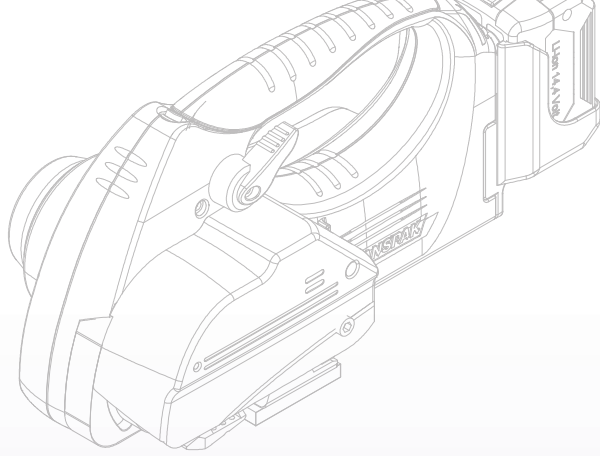
Automatic mode offers fast, one-button tensioning and sealing. Semi-auto mode offers flexibility to get specific tension. Both modes guarantee the loads are perfectly secured with the appropriately tensioned straps.

Options

- Suspension bracket
- Bottom base wearing protection plate

Technical Data

Tension Range	up to 250 kg
Strap Width	9 mm (H-45L-09) 11 mm - 13 mm (H-45L-12) 15 mm - 16 mm (H-45L-16)
Strap Thickness	PP : 0.55 - 1.05 mm PET : 0.5 - 1.05 mm
Weight (incl. battery)	4.26 kg
Battery	Bosch Li-Ion 14.4V 4.0Ah
Battery Charger	Bosch 115V (110V-120V), 230V (220V-240V) 50/60Hz 1PH



ALWAYS MORE THAN YOU EXPECT



FULL STRAP SRL

Via delle industrie 11 - 13856 Vigliano Biellese (BI) - Italy

Tel. +39 015 3353310 - e-mail info@fullstrap.com

www.fullstrap.com